

**TAYLOR**  
**DISC TILLER**

**MODEL 10-64**

**AND**

**LAND WHEEL ASSEMBLY**

**MODEL 10-66**

**TEMPORARY PARTS LIST**



**August, 1951**

**DEARBORN MOTORS CORPORATION**

**2500 E. MAPLE ROAD**

**Birmingham, Michigan, U. S. A.**

# TAYLOR *Disc Tiller*

## MODEL INDEX

<u>Model No.</u>	<u>Description</u>
10-64	Taylor Disc Tiller
10-66	Land Wheel Assembly

---

## ILLUSTRATION INDEX

<u>Figure No.</u>	<u>Name</u>	<u>Page No.</u>
1	Taylor Disc Tiller with Land Wheel	1
2	Main Frame Assembly	2
3	Disc and Bearing Assembly	4
4	Furrow Wheel and Controls	6
5	Land Wheel Assembly	10

# TAYLOR *Disc Tiller*

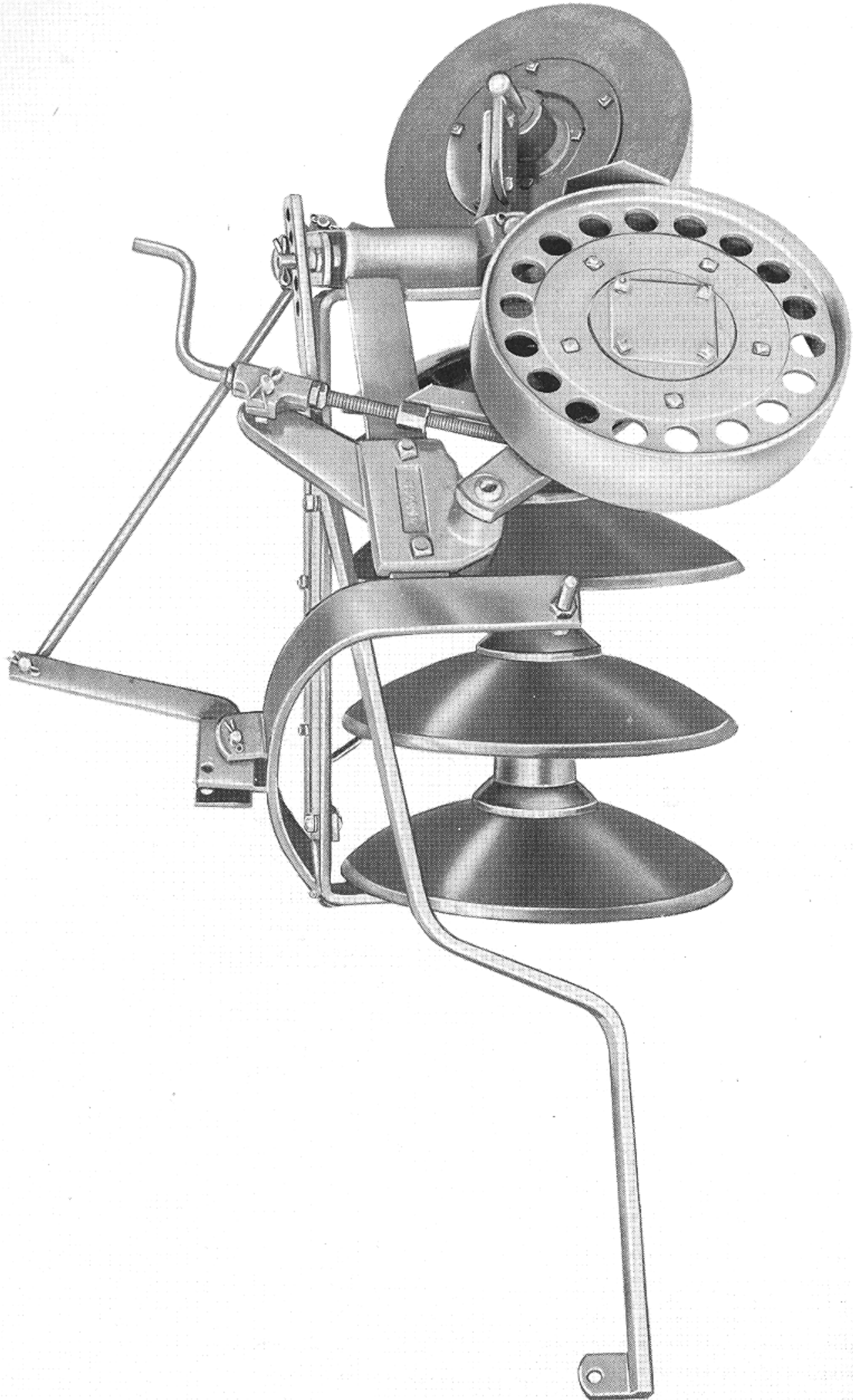


Figure 1 TAYLOR DISC TILLER with LAND WHEEL

# TAYLOR *Disc Tiller*

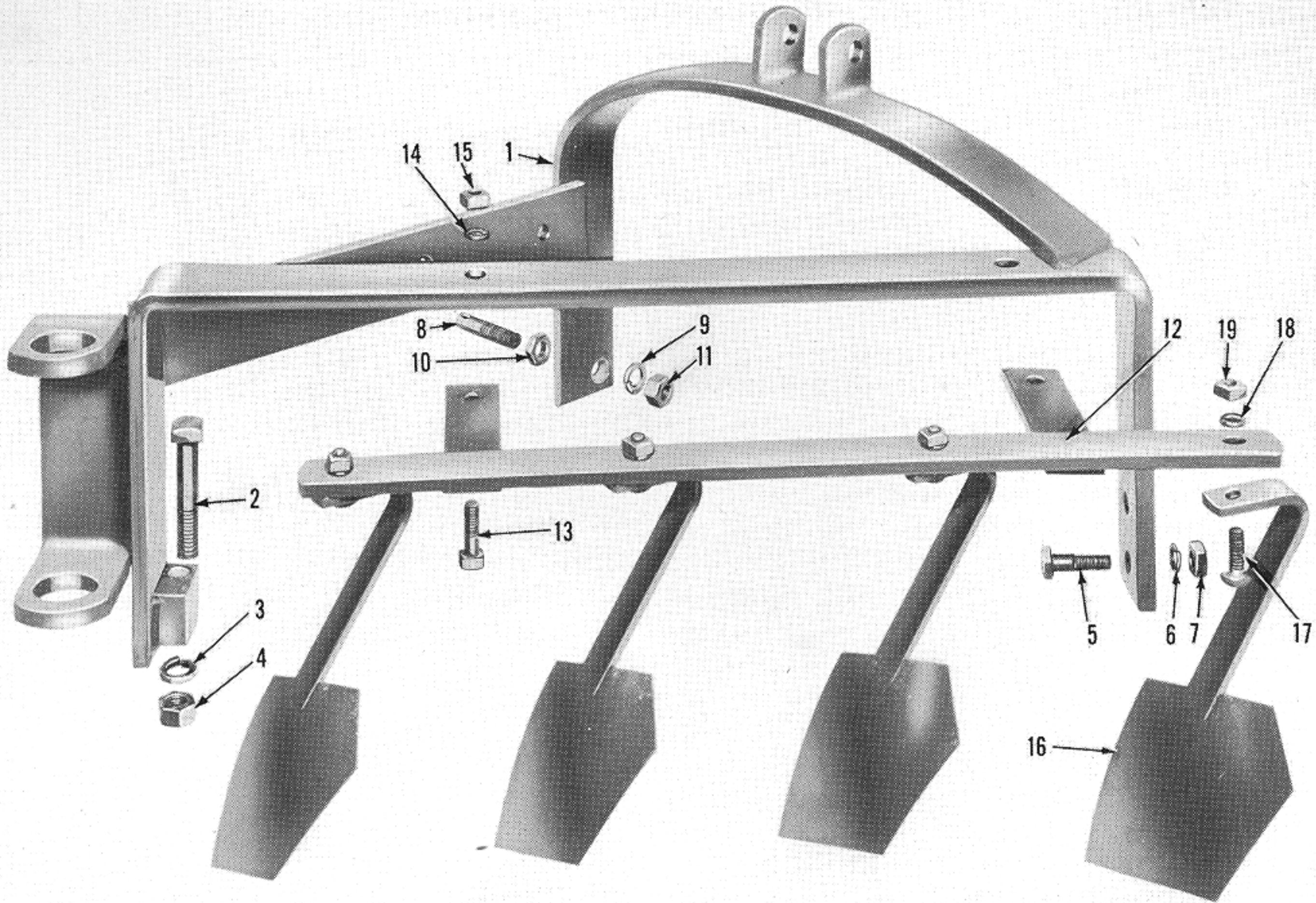


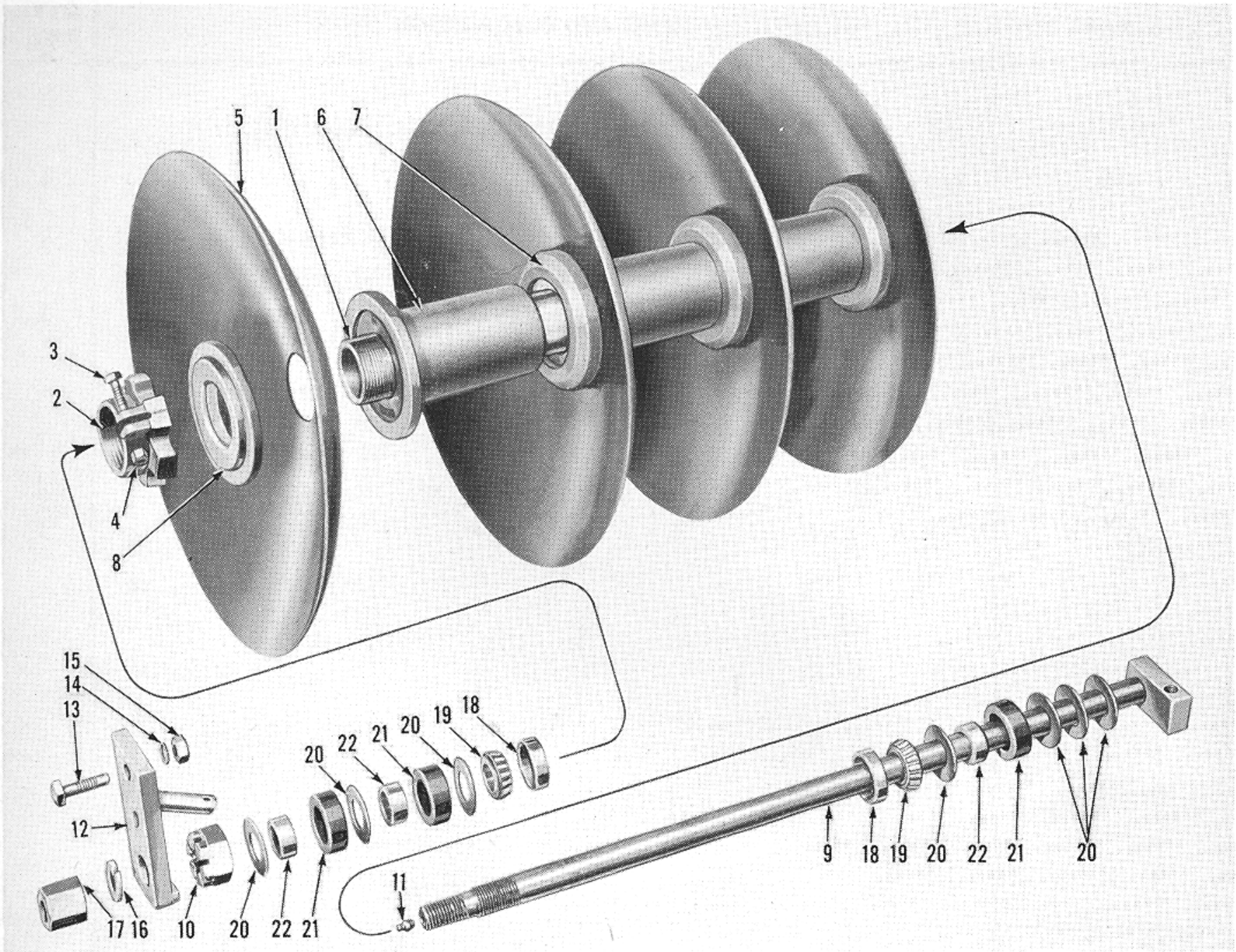
Figure 2 MAIN FRAME ASSEMBLY

FIG. 2	PART NO.	NAME AND DESCRIPTION	QTY. REQ.
		TAYLOR DISC TILLER - MODEL 10-64	
		<u>Group 1-1 Main Frame Assembly</u>	
1		FRAME, Main (Welded Assembly) . . . . .	1
2	303155	BOLT, 7/8"-9 x 5" Sq. Hd.)	
3	34814-S	LOCKWASHER, 7/8" ) Gang Bolt to Frame . . . . .	1
4	33853-S	NUT, 7/8" - 9 Hex. )	
-	105337	HANGER, Gang (See Figure 3) . . . . .	1
5		BOLT, 5/8"-11 x 2-1/4" Sq. Hd.)	
6	34811-S	LOCKWASHER, 5/8" ) Hanger to Frame . . . . .	2
7		NUT, 5/8" - 11 Sq. )	
8	105367	PIN, Link, Tractor Hitch . . . . .	1
9	34814-S	LOCKWASHER, 7/8" )	
10	33950-S	NUT, 7/8"-9 Hex. Jam) Link Pin . . . . .	1
11	33853-S	NUT, 7/8"-9 Hex. )	

# TAYLOR *Disc Tiller*

FIG. 2	PART NO.	NAME AND DESCRIPTION	QTY. REQ.
<u>Group 1-1 Main Frame Assembly (Cont'd.)</u>			
12	105355	BRACKET, Scraper (Welded Assembly) . . . . .	1
13		BOLT, 5/8"-11 x 2" Sq. Hd.)	
14	34811-S	LOCKWASHER, 5/8" ) Bracket to Main Frame . . .	2
15		NUT, 5/8" - 11 Sq. )	
16	105356	SCRAPER, Disc . . . . .	4
17	23036-S	BOLT, 1/2"-13 x 1-1/2" Sq. Hd.)	
18	34809-S	LOCKWASHER, 1/2" ) Scraper to Bracket . . .	4
19	33845-S	NUT, 1/2" - 13 Hex. )	

# TAYLOR *Disc Tiller*



**Figure 3 DISC and BEARING ASSEMBLY**

FIG. 3	PART NO.	NAME AND DESCRIPTION	QTY. REQ.
<u>Group 1-2 Disc and Bearing Assembly</u>			
1	105352	HOUSING, Pipe (Includes Welded Rear End Cap) . . . . .	1
2	105384	NUT, Housing . . . . .	1
3		BOLT, 1/2"-13 x 1-3/4" Sq. Hd.)	
4	33845-S	NUT, 1/2" - 13 Hex. ) Housing Nut . . . . .	1
5	105380	DISC, Plain, 26" Concave . . . . .	4
6	105381	SPACER, Disc . . . . .	3
7	105382	WASHER, Disc Spacer . . . . .	3
8	105383	WASHER, Disc End . . . . .	1
9	105353	BOLT, Gang (Welded Assembly) . . . . .	1
10	105374	NUT, 1-5/16"-12 Hex. Slotted)	
11	353027-S	FITTING, Lube, 1/8" Straight) Gang Bolt . . . . .	1

# TAYLOR *Disc Tiller*

FIG. 3	PART NO.	NAME AND DESCRIPTION	QTY. REQ.
<u>Group 1-2 Disc and Bearing Assembly (Cont'd.)</u>			
12	105337	HANGER, Gang . . . . .	1
13		BOLT, 5/8"-11 x 2-1/4" Sq. Hd.)	
14	34811-S	LOCKWASHER, 5/8" ) Hanger to Frame . . . . .	2
15		NUT, 5/8" - 11 Sq. )	
16	34816-S	LOCKWASHER, 1-1/8" )	
17	105385	NUT, 1-1/8" - 7 Hex.) Hanger to Gang Bolt . . . . .	1
18	9N-744	CUP, Bearing (#14276) . . . . .	2
19	105379	BEARING, Roller (#14131) . . . . .	2
20	105378	WASHER, Retainer . . . . .	7
21	105376	SEAL, Oil (Felt) . . . . .	3
22	105377	SPACER, Oil Seal . . . . .	3

# TAYLOR Disc Tiller

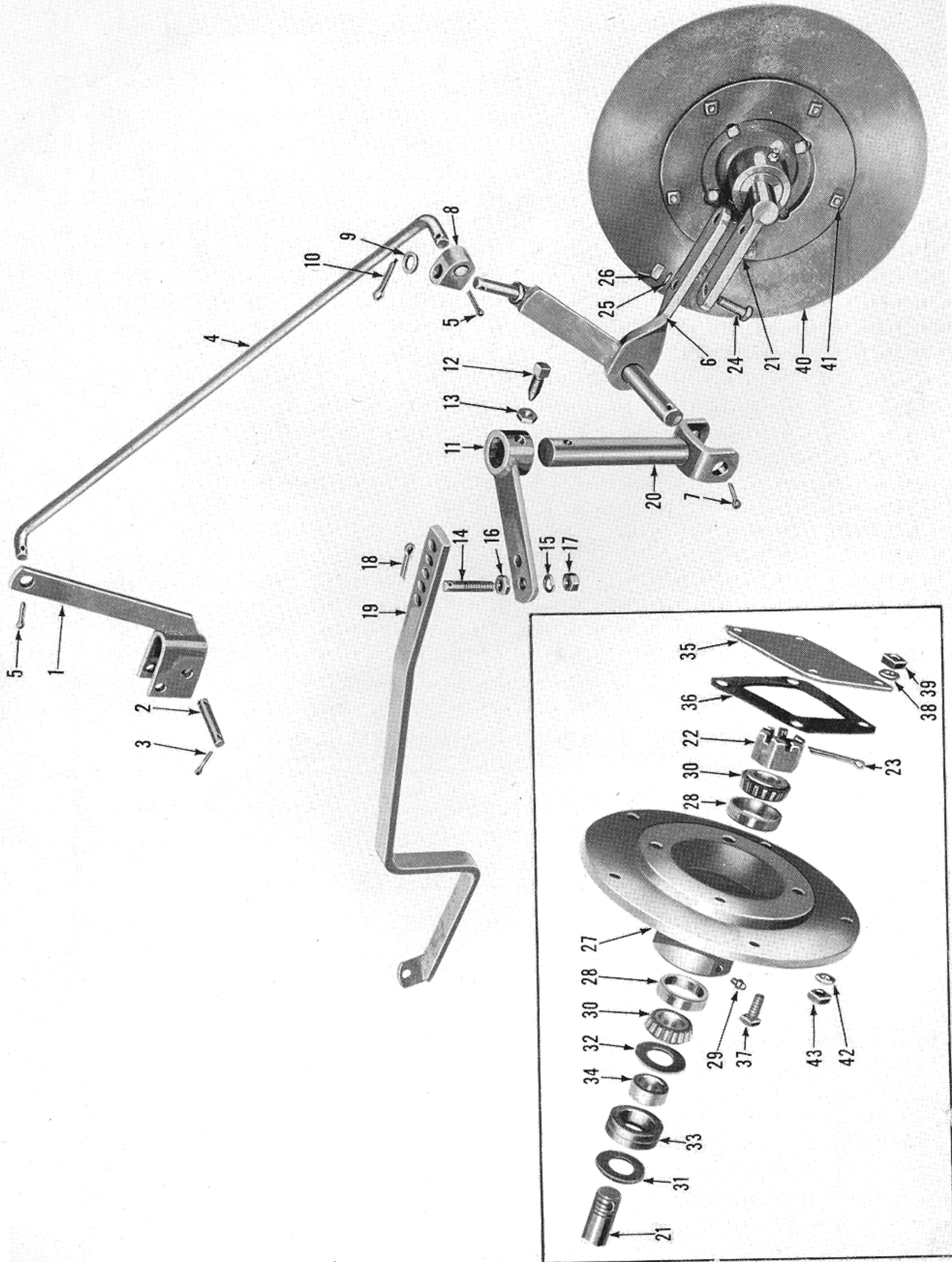


Figure 4 FURROW WHEEL and CONTROLS



# TAYLOR *Disc Tiller*

FIG. 4	PART NO.	NAME AND DESCRIPTION	QTY. REQ.
<u>Group 1-3 Furrow Wheel and Controls</u>			
1	105338	ARM, Control (Welded Assembly) . . . . .	1
2	105340	PIN, Hinge, Control Arm . . . . .	1
3	72076-S	COTTER PIN, 5/16" x 1-1/2" - Hinge Pin . . . . .	2
4	105341	BAR, Control . . . . .	1
5	72076-S	COTTER PIN, 5/16" x 1-1/2" - Bar to Control Arm to Block . . . . .	2
6	105347	HINGE, Furrow Wheel (Welded Assembly) . . . . .	1
7	303156	COTTER PIN, 7/16" x 2" - Furrow Wheel Hinge . . . . .	1
8	105342	BLOCK, Swivel . . . . .	1
9	105368	WASHER, )	
10	303156	COTTER PIN, 7/16" x 2" ) Block to Hinge . . . . .	1
11	105344	ARM, Draft Bar (Welded Assembly) . . . . .	1
12	105370	SET SCREW, 7/8"-9 Sq. Hd. Cone Pt.)	
13	33950-S	NUT, 7/8"-9 Hex. Jam ) Arm . . . . .	1
14	105369	PIN, Link, Draft Bar Arm . . . . .	1
15	34814-S	LOCKWASHER, 7/8" )	
16	33950-S	NUT, 7/8"-9 Hex. Jam )	
17	33853-S	NUT, 7/8"-9 Hex. ) Link Pin . . . . .	1
18	303156	COTTER PIN, 7/16" x 2" )	
19	105343	BAR, Draft . . . . .	1
20	105346	YOKE, Furrow Wheel Hinge (Welded Assembly) . . . . .	1
21	105350	AXLE, Furrow Wheel (Welded Assembly) . . . . .	1
22	105374	NUT, 1-5/16" - 12" Hex. Slotted)	
23	72111-S	COTTER PIN, 1/4" x 2" ) Furrow Wheel Axle . . . . .	1
24		BOLT, 5/8"-11 x 2" Sq. Hd.)	
25	34811-S	LOCKWASHER, 5/8" ) Axle to Hinge . . . . .	2
26		NUT, 5/8" - 11 Sq. )	
27	105371	HUB ASSEMBLY, Furrow Wheel Consists of Hub which is not serviced separately plus Cups listed below:	
28	9N-744	CUP, Bearing (#142761) . . . . .	2
29	353027-S	FITTING, Lube, 1/8" Straight . . . . .	1

# TAYLOR *Disc Tiller*

FIG.	PART NO.	NAME AND DESCRIPTION	QTY. REQ.
<u>Group 1-3 Furrow Wheel and Controls (Cont'd.)</u>			
30	105379	BEARING, Roller (#14131) . . . . .	2
31	105375	WASHER, Retainer (Heavy) . . . . .	1
32	105378	WASHER, Retainer . . . . .	1
33	105376	SEAL, Oil (Felt) . . . . .	1
34	105377	SPACER, Oil Seal . . . . .	1
35	105372	PLATE, Grease Retainer . . . . .	1
36	105373	GASKET, Retainer Plate (Felt) . . . . .	1
37		BOLT, 1/2"-13 x 1-1/4" Sq. Hd.)	
38	34809-S	LOCKWASHER, 1/2" ) Retainer Plate to Hub .	4
39		NUT, 1/2" - 13 Sq. )	
40	105349	WHEEL, Furrow . . . . .	1
41	23036-S	BOLT, 1/2"-13 x 1-1/2" Sq. Hd.)	
42	34809-S	LOCKWASHER, 1/2" ) Furrow Wheel to Hub . .	5
43	33845-S	NUT, 1/2" - 13 Hex. )	

# TAYLOR *Disc Tiller*

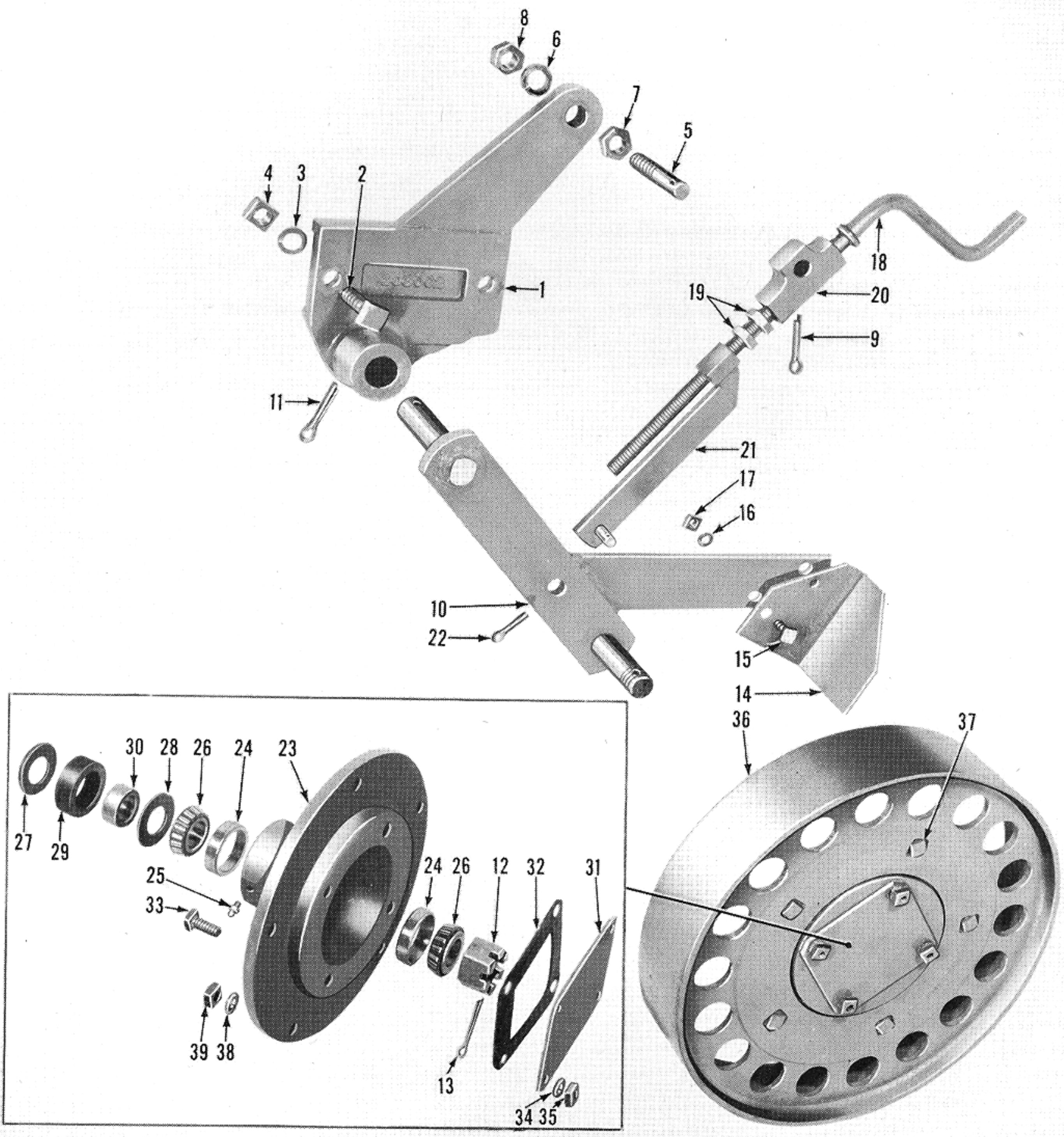


Figure 5 LAND WHEEL ASSEMBLY

# TAYLOR *Disc Tiller*

FIG. 5	PART NO.	NAME AND DESCRIPTION	QTY. REQ.
<u>Group 1-4 Land Wheel Assembly, Model 10-66</u>			
1	105357	BRACKET, Land Wheel . . . . .	1
2	23079-S	BOLT, 3/4"-10 x 2-3/4" Sq. Hd.)	} Bracket to Frame . . . . .
3	34813-S	LOCKWASHER, 3/4"	
4	33851-S	NUT, 3/4" - 10 Hex.	
5	105360	PIN, Link . . . . .	
6	34814-S	LOCKWASHER, 7/8" )	} Link Pin . . . . .
7	33950-S	NUT, 7/8"-9 Hex. Jam )	
8	33853-S	NUT, 7/8"-9 Hex. )	
9	303156	COTTER PIN, 7/16" x 2")	
10	105358	SUPPORT, Land Wheel (Welded Assembly) . . . . .	1
11	303156	COTTER PIN, 7/16" x 2" - Support to Bracket . . . . .	1
12	105374	NUT, 1-5/16"-12 Hex. Slotted)	} Support Shaft . . . . .
13	72111-S	COTTER PIN, 1/4" x 2"	
14	105363	SCRAPER, Land Wheel . . . . .	1
15	23036-S	BOLT, 1/2"-13 x 1-1/2" Sq. Hd.)	} Scraper to Support . . . . .
16	34809-S	LOCKWASHER, 1/2"	
17	33845-S	NUT, 1/2" - 13 Hex.	
18	105359	CRANK, Land Wheel (Welded Assembly) . . . . .	1
19	33950-S	NUT, 7/8"-9 Hex. Jam - Crank . . . . .	2
20	105362	SWIVEL, Crank . . . . .	1
21	105361	BRACKET, Adjusting, Crank . . . . .	1
22	72076-S	COTTER PIN, 5/16" x 1-1/2" - Bracket to Support . . . . .	1
23	105371	HUB ASSEMBLY, Land Wheel . . . . .	1
Consists of Hub which is not serviced separately plus Cups listed below:			
24	9N-744	CUP, Bearing (#142761) . . . . .	2
25	353027-S	FITTING, Lube, 1/8" Straight . . . . .	1
26	105379	BEARING, Roller (#14131) . . . . .	2
27	105375	WASHER, Retainer (Heavy) . . . . .	1
28	105378	WASHER, Retainer . . . . .	1
29	105376	SEAL, Oil (Felt) . . . . .	1
30	105377	SPACER, Oil Seal . . . . .	1

# TAYLOR *Disc Tiller*

FIG. 5	PART NO.	NAME AND DESCRIPTION	QTY. REQ.
<u>Group 1-4 Land Wheel Assembly, Model 10-66 (Cont'd.)</u>			
31	105372	PLATE, Grease Retainer . . . . .	1
32	105373	GASKET, Retainer Plate . . . . .	1
33		BOLT, 1/2"-13 x 1-1/4" Sq. Hd.)	
34	34809-S	LOCKWASHER, 1/2" ) Retainer Plate to Hub .	4
35		NUT, 1/2" - 13 Sq. )	
36	105365	WHEEL, Land . . . . .	1
37	23036-S	BOLT, 1/2"-13 x 1-1/2" Sq. Hd.)	
38	34809-S	LOCKWASHER, 1/2" ) Land Wheel to Hub . . .	5
39	33845-S	NUT, 1/2" - 13 Hex. )	

## NUMERICAL INDEX

PART NO.	SUPPLIER NO.	PART NAME	PAGE NO.	PART NO.	SUPPLIER NO.	PART NAME	PAGE NO.
9N-744	203021	Cup . . . . .	5 7 11	105377	203019	Spacer . . . . .	5 8 11
105337	303016	Hanger . . . . .	2 5	105378	203024	Washer . . . . .	5 8 11
105338	403086	Arm . . . . .	7	105379	203020	Bearing . . . . .	5 8 11
105340	403059	Pin . . . . .	7				
105341	403061	Bar . . . . .	7	105380	303000	Disc . . . . .	4
105342	403019	Block . . . . .	7	105381	203008	Spacer . . . . .	4
105343	303020	Bar . . . . .	7	105382	203009	Washer . . . . .	4
105344	403080	Arm . . . . .	7	105383	203010	Washer . . . . .	4
105346	403074	Yoke . . . . .	7	105384	203007	Nut . . . . .	4
105347	403065	Hinge . . . . .	7	105385	203015	Nut . . . . .	5
105349	403055	Wheel . . . . .	8				
105350	403071	Axle . . . . .	7	303155		Bolt . . . . .	2
105352	203004	Housing . . . . .	4	303156		Cotter Pin . . . . .	7
105353	203011	Gang Bolt . . . . .	4				11
105355	303010	Bracket . . . . .	3				
105356	303013	Scraper . . . . .	3				
105357	403062	Bracket . . . . .	11				
105358	403045	Support . . . . .	11				
105359	403048	Crank . . . . .	11				
105360	403035	Pin . . . . .	11				
105361	403041	Bracket . . . . .	11				
105362	403018	Hinge . . . . .	11				
105363	403050	Scraper . . . . .	11				
105365	403063	Wheel . . . . .	12				
105367	303027	Pin . . . . .	3				
105368	103010	Washer . . . . .	7				
105369	403034	Pin . . . . .	7				
105370	403083	Set Screw . . . . .	7				
105371		Hub Assy. . . . .	7 11				
105372	403052	Plate . . . . .	8 12				
105373	403053	Gasket . . . . .	8 12				
105374	203014	Nut . . . . .	4 11				
105375	203070	Washer . . . . .	8 11				
105376	203018	Seal . . . . .	5 8 11				